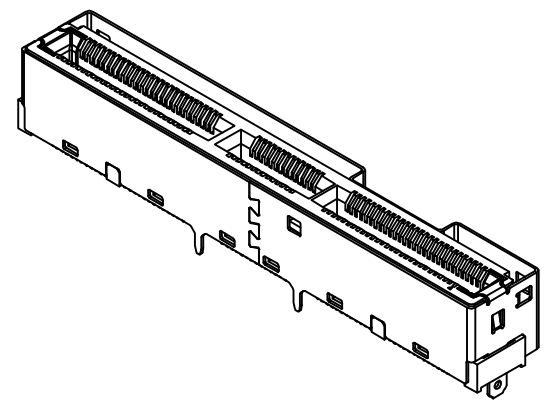
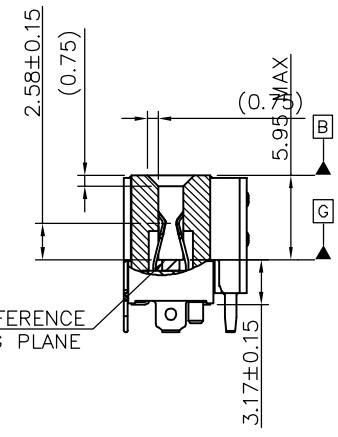
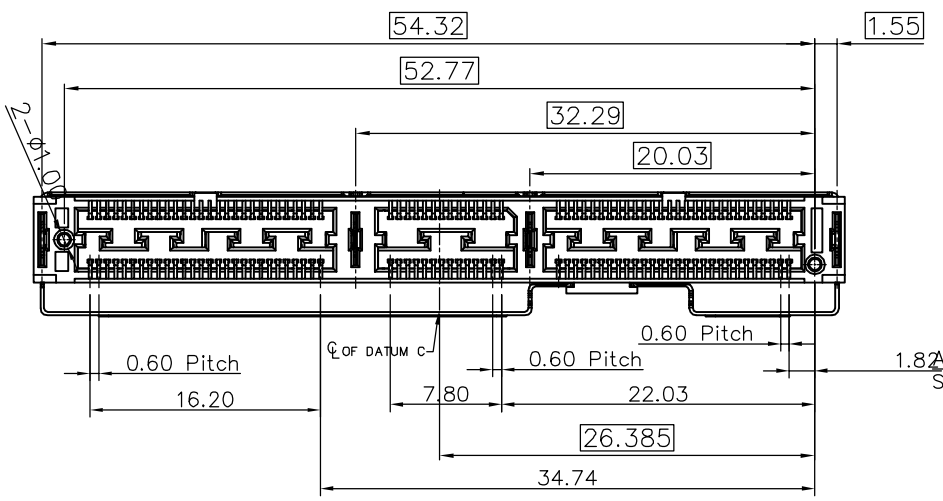
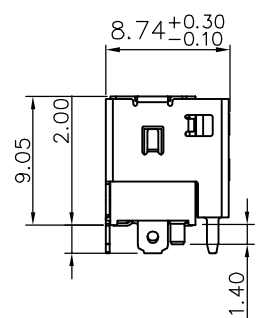
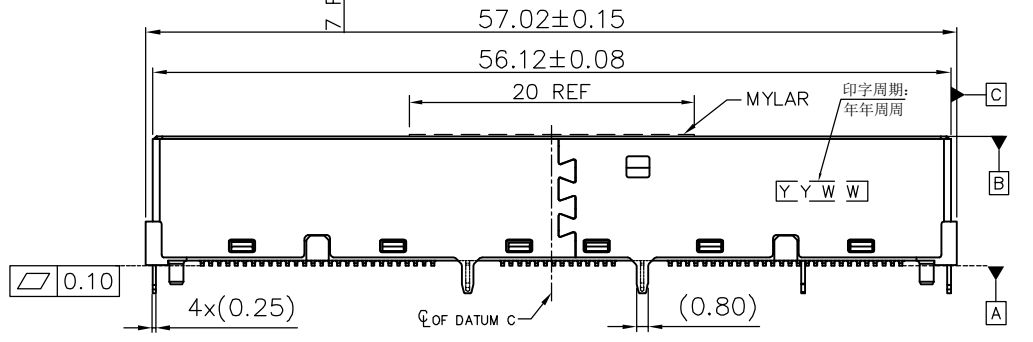
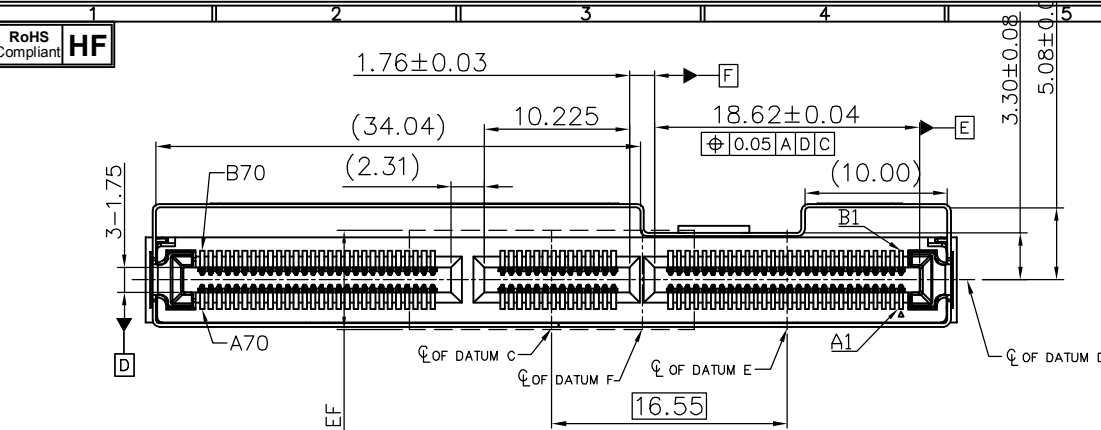


REV.	ECN.NO.	MODIFY.CONTENT
X1	2022-04-28	NEW
X2	2023-06-25	Update drawings

NOTES:
 1 MATERIAL:
 HOUSING: HIGH TEMPERATURE THERMOPLASTIC 94V-0, BLACK COLOR
 TERMINAL: COPPER ALLOY
 BOARD LOCK: COPPER ALLOY
 SHELL: STAINLESS
 2 PLATING:
 TERMINAL:
 SELECTIVE Au (SEE ORDER INFORMATION) ON CONTACT AREA,
 MATTE TIN ON SOLDER TAIL AREA, BOTH OVER Ni UNDERPLATED.
 3 THIS LAYOUT REFER TO THE SPECIFICATION OPC-NIC 3.0
 4 MECHANICAL CHARACTERISTICS
 4.1 MATING FORCE (MODULE TO CONNECTOR)
 140PIN 4C = 77 N MAX.
 4.2 MATING UNMATING FORCE
 140PIN 4C = 7 N MIN.
 4.3 DURABILITY: 200 CYCLES.
 5 ELECTRICAL CHARACTERISTICS
 5.1 CONTACT CURRENT RATING: 1.1AMPS . PER PIN.
 5.2 INSULATION RESISTANCE: 1000 MEGOHMS
 5.3 DIELECTRIC WITHSTANDING VOLTAGE:300 VAC CURRENT LEAKAGE:0.5mA MAX
 5.4 LOW LEVEL CONTACT RESISTANCE:
 INITIAL:30 MILLIOHMS MAX, DELTA:15 MILLIOHMS MAX.
 6 OPERATING TEMPERATURE RANGE: -40°C TO +85°C .
 7 THE PRODUCT DRAWING PER SFF-TA-1002 Rev:1.2
 8 ORDER INFORMATION:
 GENZ-*** L * * 2 **
 140:140Pin
 0: WITH LOGO
 1: WITHOUT LOGO
 0: TAPE REEL
 1: TRAY
 46: Au15u"/Sn80u"/Ni50u"
 47: Au30u"/Sn80u"/Ni50u"
 1: TYPE A
 2: TYPE B SHELL

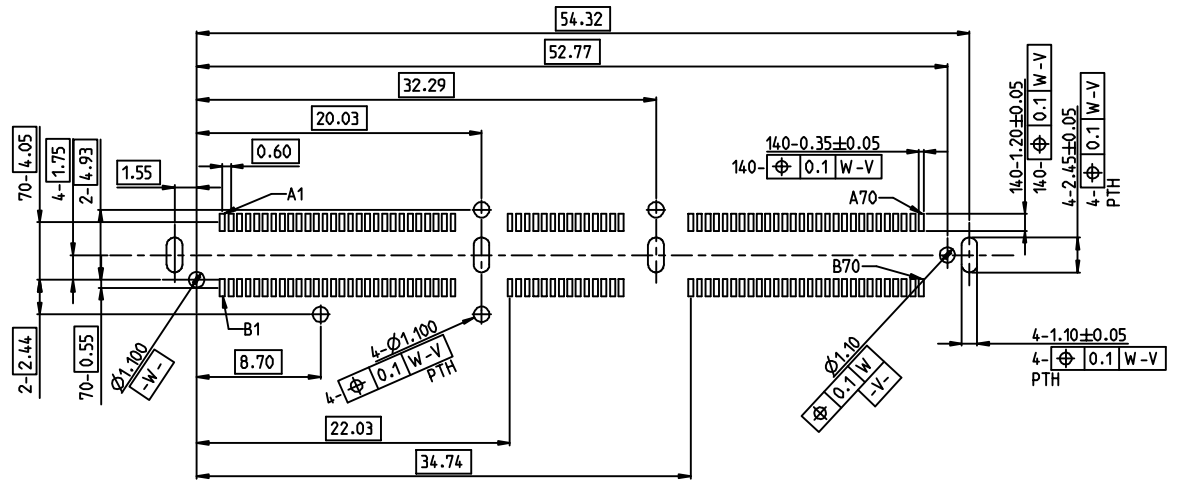


GENERAL	TOLERANCE	DWG.NO.	GENZ-140L10200	PART.NO.	GENZ-140L102XX	DRAWN	TONY 2023-06-25
x.±0.50	x.*± 5°	REV.	X2	TITLE	GEN Z 4C (SFF TA-1002)	CHECKED	
.x±0.25	.x*± 2°	SIZE		SHEET	1 OF 3	APPROVED	
.xx±0.15	.xx± 1°	A4					

UNIT	mm	SCALE	1:1
东莞市欧联电子科技有限公司 DONGGUAN OLN ELECTRONICS TECHNOLOGY CO., LTD.			

REV.	ECN.NO.	MODIFY.CONTENT
X1	2022-04-28	NEW
X2	2023-06-25	Update drawings

PIN NUMBER	SIDE A	SIDE B	PIN NUMBER	SIDE A	SIDE B	PIN NUMBER	SIDE A	SIDE B
1	GND	GND	29	GND	GND	43	GND	GND
2	SIGNAL	SIGNAL	30	SIGNAL	SIGNAL	44	SIGNAL	SIGNAL
3	SIGNAL	SIGNAL	31	SIGNAL	SIGNAL	45	SIGNAL	SIGNAL
4	GND	GND	32	GND	GND	46	GND	GND
5	SIGNAL	SIGNAL	33	SIGNAL	SIGNAL	47	SIGNAL	SIGNAL
6	SIGNAL	SIGNAL	34	SIGNAL	SIGNAL	48	SIGNAL	SIGNAL
7	GND	GND	35	GND	GND	49	GND	GND
8	SIGNAL	SIGNAL	36	SIGNAL	SIGNAL	50	SIGNAL	SIGNAL
9	SIGNAL	SIGNAL	37	SIGNAL	SIGNAL	51	SIGNAL	SIGNAL
10	GND	GND	38	GND	GND	52	GND	GND
11	SIGNAL	SIGNAL	39	SIGNAL	SIGNAL	53	SIGNAL	SIGNAL
12	SIGNAL	SIGNAL	40	SIGNAL	SIGNAL	54	SIGNAL	SIGNAL
13	GND	GND	41	GND	GND	55	GND	GND
14	SIGNAL	SIGNAL	42	GND	GND	56	SIGNAL	SIGNAL
15	SIGNAL	SIGNAL	KEY			57	SIGNAL	SIGNAL
16	GND	GND				58	GND	GND
17	SIGNAL	SIGNAL				59	SIGNAL	SIGNAL
18	SIGNAL	SIGNAL				60	SIGNAL	SIGNAL
19	GND	GND				61	GND	GND
20	SIGNAL	SIGNAL				62	SIGNAL	SIGNAL
21	SIGNAL	SIGNAL				63	SIGNAL	SIGNAL
22	GND	GND				64	GND	GND
23	SIGNAL	SIGNAL				65	SIGNAL	SIGNAL
24	SIGNAL	SIGNAL				66	SIGNAL	SIGNAL
25	GND	GND				67	GND	GND
26	SIGNAL	SIGNAL	68	SIGNAL	SIGNAL			
27	SIGNAL	SIGNAL	69	SIGNAL	SIGNAL			
28	GND	GND	70	GND	GND			
KEY								
1C Connector								
2C Connector								
4C Connector								



RECOMMENDED 4C PCB LAYOUT
(GENERAL TOLERANCES:±0.05mm)

THE PRODUCT DRAWING PER
SFF-TA-1002 Rev:1.2

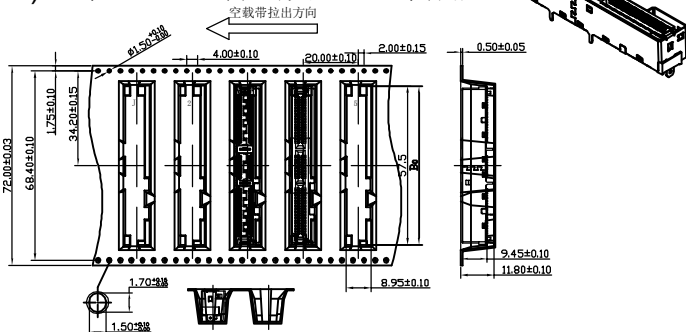
GENERAL TOLERANCE	DWG.NO.	GENZ-140L10200	PART.NO.	GENZ-140L102XX	DRAWN	TONY 2023-06-25
x.±0.50	REV.	X2	TITLE	GEN Z 4C (SFF TA-1002)	CHECKED	
.x±0.25	SIZE	A4	SHEET	2 OF 3	APPROVED	
.xx±0.15						

UNIT	mm	SCALE	1:1
 东莞市欧联电子科技有限公司 DONGGUAN OLN ELECTRONICS TECHNOLOGY CO., LTD.			

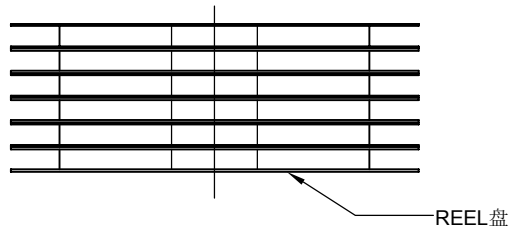
REV.	ECN.NO.	MODIFY.CONTENT
X1	2022-04-28	NEW
X2	2023-06-25	Update drawings

包装作业图示及说明 (PACKING OPERATION DIAGRAM & INSTRUCTION)

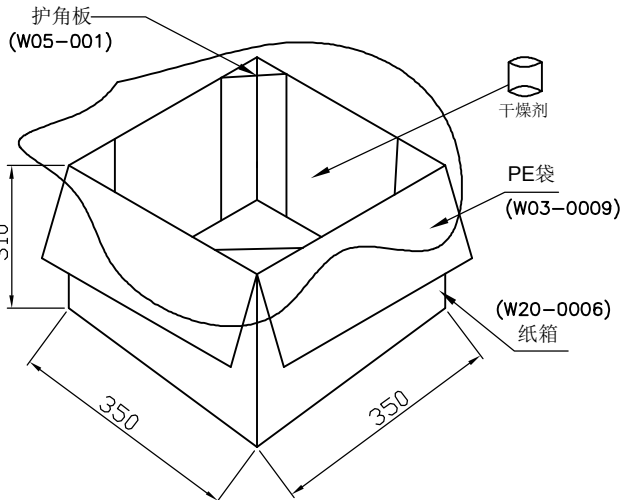
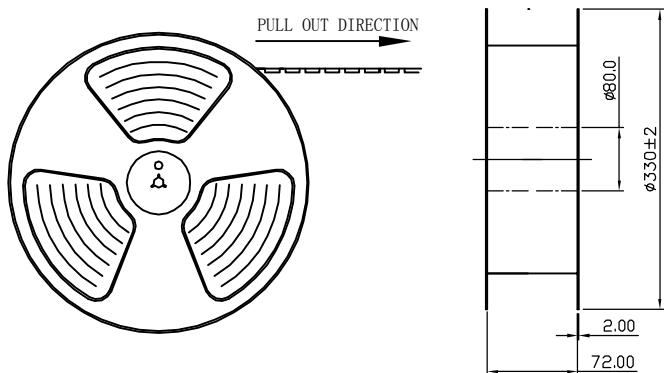
- 一. 1) 将成品一一放入REEL包装盘内,依同一方向放入
 2) 包装时,如图所示.
 3) 一个REEL包装盘放置250个成品.



- 三. 1) 每箱装 3 盘REEL包装盘.
 2) 每箱放置 750 PCS 的成品.



- 二. 1) 装盘前先把前面空15pcs产品,然后再开始装盘, 尾端也需空15pcs产品,上带加长200mm.
 2) 装满成品的REEL包装盘如下图所示.



- 四. 1) 用TAPE將紙箱封實.

備註 (REMARK)

1. 若有未裝滿之零數箱,必須以緩衝材塞滿.

GENERAL TOLERANCE	TOLERANCE	DWG.NO.	GENZ-140L10200	PART.NO.	GENZ-140L102XX	DRAWN	Tony 2023-07-14
x.±0.50	x.±5°	REV.	X1	TITLE	GEN Z 4C 140Pin V/T Conn	CHECKED	
.x±0.25	.x±2°	SIZE		SHEET	3 OF 3	APPROVED	
.xx±0.15	.xx±1°	A4					

UNIT	mm	SCALE	1:1
东莞市欧联电子科技有限公司 DONGGUAN OLN ELECTRONICS TECHNOLOGY CO., LTD.			